

Model			GWH24YEXF-K6DNA1D
Product Code			CB437004601
Power Supply	Rated Voltage	V~	220-240
	Rated Frequency	Hz	50
	Phases		1
Power Supply Mode			Outdoor
Cooling Capacity		W	7100
Heating Capacity		W	7800
Cooling Power Input		W	2030
Heating Power Input		W	2000
Cooling Current Input		A	9
Heating Current Input		A	9.3
Rated Input		W	3000
Rated Cooling Current		A	13
Rated Heating Current		A	13.5
Air Flow Volume		m ³ /h	1250/1100/1000/950/900/850/800/600
Dehumidifying Volume		L/h	2.4
EER		W/W	3.5
COP		W/W	3.9
SEER		W/W	7
SCOP (Average/Warmer/Colder)		--	4.2/5.4/3.4
Application Area		m ²	27-42
Indoor Unit	Model		GWH24YEXF-K6DNA1D/I
	Product Code		CB437N04600
	Fan Type		Cross-flow
	Fan Diameter Length(DXL)	mm	Φ108×830
	Cooling Speed	r/min	1250/1100/1000/950/900/850/800
	Heating Speed	r/min	1400/1250/1100/1050/1000/900/850
	Fan Motor Power Output	W	60
	Fan Motor RLA	A	0.24
	Fan Motor Capacitor	μF	/
	Evaporator Form		Aluminum Fin-copper Tube
	Evaporator Pipe Diameter	mm	Φ7
	Evaporator Row-fin Gap	mm	2-1.4
	Evaporator Coil Length (LXDXW)	mm	845×25.4×342.9
	Swing Motor Model		MP24HF/MP35CP
	Swing Motor Power Output	W	1.5/2.5
	Fuse Current	A	3.15
	Sound Pressure Level	dB (A)	Cooling: 48/44/41/40/38/36/33/27 Heating: 50/47/43/41/40/36/35
	Sound Power Level	dB (A)	Cooling: 64/59/56/55/53/51/48/42 Heating: 64/62/58/56/55/51/50
	Dimension (WXHXD)	mm	1101X327X249
	Dimension of Carton Box (LXWXH)	mm	1164X402X339
	Dimension of Package (LXWXH)	mm	1167X405X354
Net Weight	kg	16	
Gross Weight	kg	19.5	

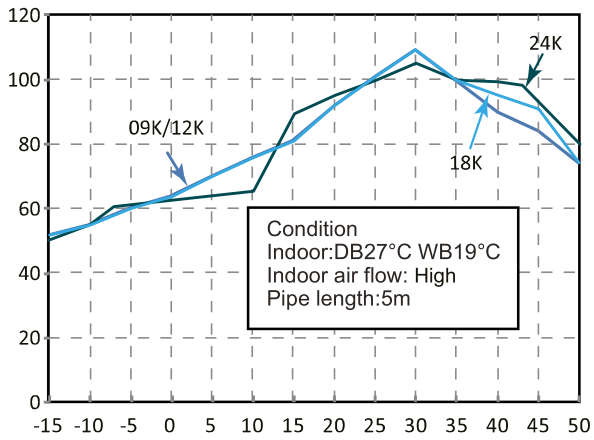
Outdoor Unit	Outdoor Unit Model		GWH24YEXF-K6DNA1D/O
	Outdoor Unit Product Code		CB437W04601
	Compressor Manufacturer		ZHUHAI LANDA COMPRESSOR CO,LTD.
	Compressor Model		QXFS-M180zX170
	Compressor Oil		FW68DA or equivalent
	Compressor Type		Twin Rotary
	Compressor LRA.	A	35
	Compressor RLA	A	3.5
	Compressor Power Input	W	1610
	Compressor Overload Protector		KSD115°C HPC115/95U1
	Throttling Method		Electron expansion valve
	Set Temperature Range	°C	16~30
	Cooling Operation Ambient Temperature Range	°C	-15~50
	Heating Operation Ambient Temperature Range	°C	-25~30
	Condenser Form		Aluminum Fin-copper Tube
	Condenser Pipe Diameter	mm	Φ7
	Condenser Rows-fin Gap	mm	2-1.4
	Condenser Coil Length (LXD _X W)	mm	839×38.1×616
	Fan Motor Speed	rpm	800
	Fan Motor Power Output	W	60
	Fan Motor RLA	A	0.65
	Fan Motor Capacitor	μF	/
	Outdoor Unit Air Flow Volume	m ³ /h	3600
	Fan Type		Axial-flow
	Fan Diameter	mm	Φ520
	Defrosting Method		Automatic Defrosting
	Climate Type		T1
	Isolation		I
	Moisture Protection		IPX4
	Permissible Excessive Operating Pressure for the Discharge Side	MPa	4.3
	Permissible Excessive Operating Pressure for the Suction Side	MPa	2.5
	Sound Pressure Level (H/M/L)	dB (A)	59
	Sound Power Level (H/M/L)	dB (A)	70
Dimension(WXHXD)	mm	958X660X402	
Dimension of Carton Box (LXWXH)	mm	1029X453X715	
Dimension of Package(LXWXH)	mm	1032X456X737	
Net Weight	kg	42.5	
Gross Weight	kg	47	
Refrigerant		R32	
Refrigerant Charge	kg	1.5	
Connection Pipe	Connection Pipe Length	m	5
	Connection Pipe Gas Additional Charge	g/m	40
	Outer Diameter Liquid Pipe	inch	1/4
	Outer Diameter Gas Pipe	inch	5/8
	Max Distance Height	m	10
	Max Distance Length	m	25
	Note: The connection pipe applies metric diameter.		

The above data is subject to change without notice. Please refer to the nameplate of the unit.

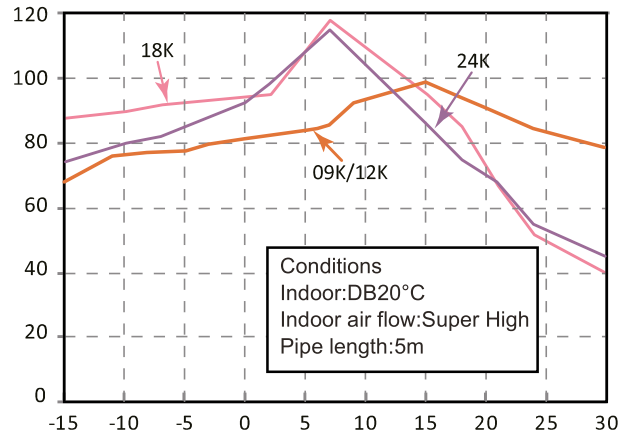
2.2 Capacity Variation Ratio According to Temperature

Heating operation ambient temperature range is $-15^{\circ}\text{C}\sim 30^{\circ}\text{C}$

Cooling

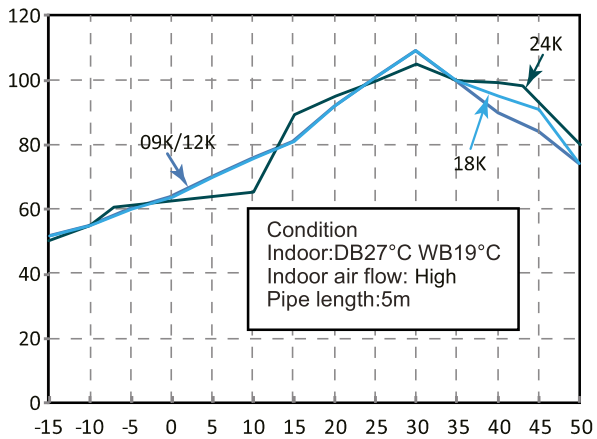


Heating

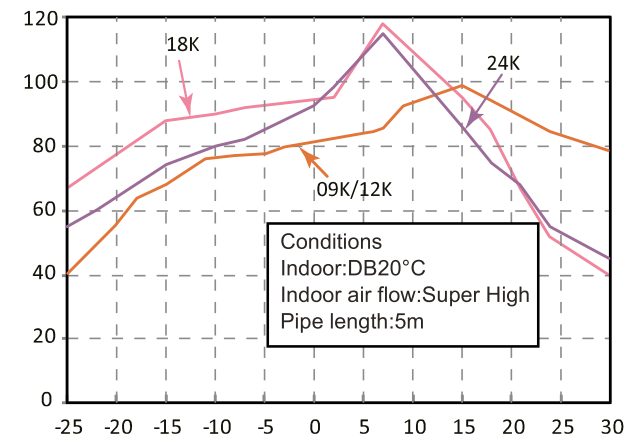


Heating operation ambient temperature range is $-25^{\circ}\text{C}\sim 30^{\circ}\text{C}$

Cooling

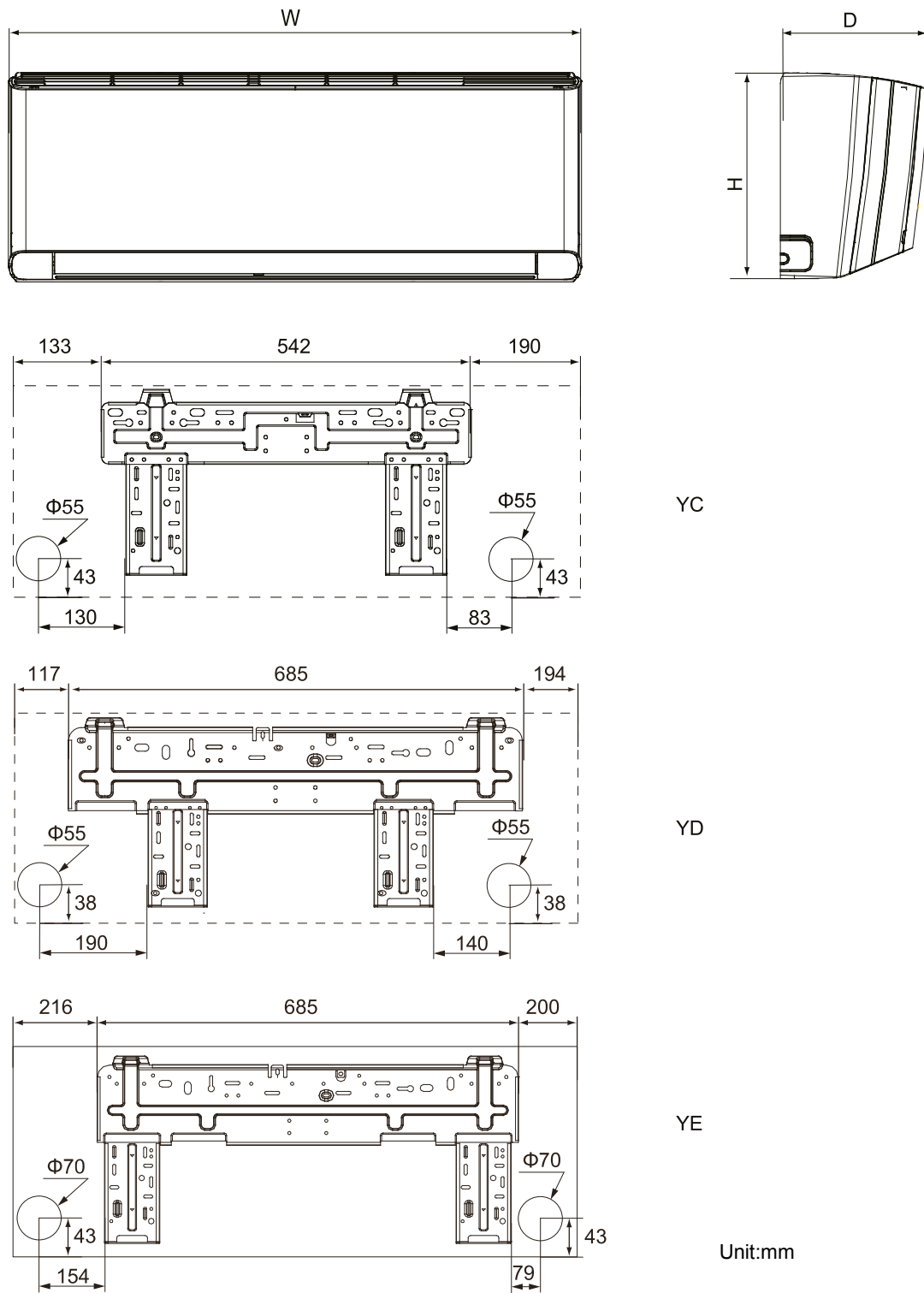


Heating



3. Outline Dimension Diagram

3.1 Indoor Unit



YC

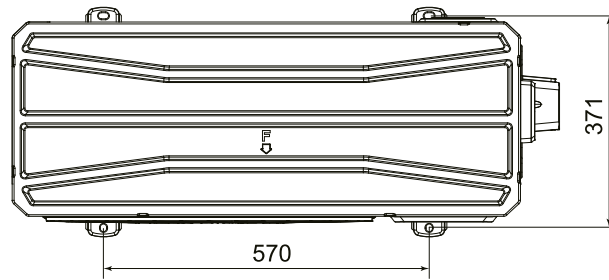
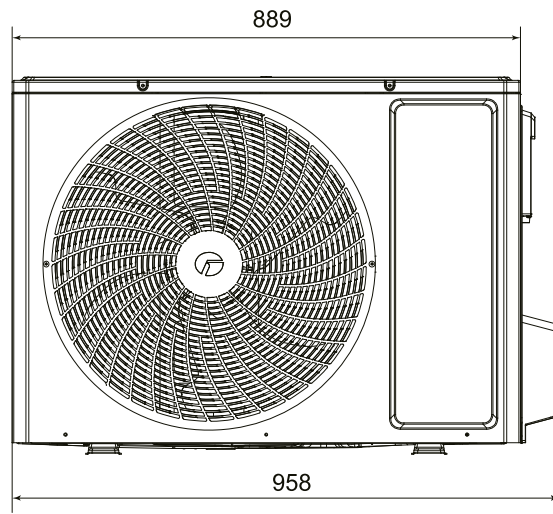
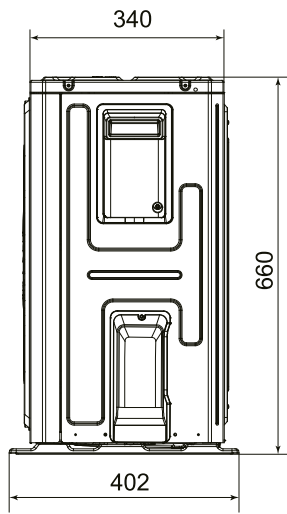
YD

YE

Unit:mm

Model	W	H	D
YC	865	290	210
YD	996	301	225
YE	1101	327	249

GWH18YDXF-K6DNA1B/O GWH24YEXF-K6DNA1D/O



Unit:mm