

	IDU		GUD100T/A-T	GUD125T/A-T	GUD140T/A-T	GUD160T/A-T
	ODU		GUD100W/NhA-X	GUD125W/NhA-X	GUD140W/NhA-X	GUD160W/NhA-X
Connection Pipe	Liquid Pipe	in.	3/8	3/8	3/8	3/8
	Gas Pipe	in.	5/8	5/8	5/8	5/8
Refrigerant Pipe	Standard Length	m	5.00	5.00	7.50	7.50
	Max. Length	m	65	75	75	75
	Max. Height	m	30	30	30	30
Dimensions (H*W*D)	Outline	mm	820*940*460	820*940*460	820*940*460	1345*900*340
	Package	mm	973*1083*573	973*1083*573	973*1083*573	1500*1048*458
Weight	Net Weight	kg	89	95	99	112
	Gross Weight	kg	101	107	111	122
Safety Device			High pressure switch Low pressure switch Unloading valve Outdoor fan driver overload protector Thermal protector for indoor Fan Motor Inverter overload protector Fusible plugs. Fuse	High pressure switch Low pressure switch Unloading valve Outdoor fan driver overload protector Thermal protector for indoor Fan Motor Inverter overload protector Fusible plugs. Fuse	High pressure switch Low pressure switch Unloading valve Outdoor fan driver overload protector Thermal protector for indoor Fan Motor Inverter overload protector Fusible plugs. Fuse	High pressure switch Low pressure switch Unloading valve Outdoor fan driver overload protector Thermal protector for indoor Fan Motor Inverter overload protector Fusible plugs. Fuse

4.2 Duct Type

	IDU		GUD35P/A-T	GUD50P/A-T	GUD71P/A-T	GUD85P/A-T
			GUD35PS/A-T	GUD50PS/A-T	GUD71PS/A-T	GUD85PS/A-T
	ODU		GUD35W/NhA-T	GUD50W/NhA-T	GUD71W/NhA-T	GUD85W/NhA-T
Rated Capacity	Cooling	kW	3.50	5.00	7.00	8.50
	Heating	kW	4.00	5.50	8.00	8.80
Input Power	Cooling	kW	0.95	1.55	2.10	2.70
	Heating	kW	1.05	1.45	2.25	2.65
Sound Pressure Level Noise	Cooling	dB(A)	41	43	40	42
EER		W/W	3.68	3.23	3.33	3.15
SEER		—	6.10	6.10	6.80	6.10
SCOP		—	4.00	4.00	4.00	4.00
Energy Class (Cooling / Heating)		—	A++/A+	A++/A+	A++/A+	A++/A+
IDU			GUD35P/A-T	GUD50P/A-T	GUD71P/A-T	GUD85P/A-T
			GUD35PS/A-T	GUD50PS/A-T	GUD71PS/A-T	GUD85PS/A-T
Power Supply			220-240V ~50Hz;208-230V ~60Hz			

U-Match 5 SERIES AIR CONDITIONERS TSG

	IDU		GUD35P/A-T	GUD50P/A-T	GUD71P/A-T	GUD85P/A-T
			GUD35PS/A-T	GUD50PS/A-T	GUD71PS/A-T	GUD85PS/A-T
	ODU		GUD35W/NhA-T	GUD50W/NhA-T	GUD71W/NhA-T	GUD85W/NhA-T
Heat Exchanger		—	Inner Groove Copper Tube-Aluminum Fin			
Static pressure(rated/maximum)			25/50	25/50	25/75	37/75
Fan Motor	Type	—	Centrifugal Fan			
	Drive	—	direct	direct	direct	direct
	Motor Output	W	60	60	60	60
	Air Volume	m ³ /h	650	950	1200	1500
Filter		—	PPKZ			
Connection Pipe	Liquid Pipe	in.	1/4	1/4	3/8	3/8
	Gas Pipe	in.	3/8	1/2	5/8	5/8
	Water Pipe	mm	Φ25*1.50	Φ25*1.50	Φ25*1.50	Φ25*1.50
Dimensions (H*W*D)	Outline	mm	200*700*450	200*1000*450	220*1300*450	220*1300*450
	Package	mm	275*568*1008	275*568*1308	300*578*1628	300*578*1628
Weight	Net Weight	kg	19/20	25/26	30/31	30/31
	Gross Weight	kg	23/24	30/31	37/38	37/38
ODU			GUD35W/NhA-T	GUD50W/NhA-T	GUD71W/NhA-T	GUD85W/NhA-T
Heat Exchanger		—	Inner Groove Copper Tube-Aluminum Fin			
Power Supply			220-240V ~50Hz;208-230V ~60Hz			
Compressor	Model		QXF-A102zE170B	QXF-B141zF030F	QXFS-D25zX090H	QXFS-D25zX090H
	Type		Rotary	Rotary	Rotary	Rotary
	Output	W	1023	1410	2420	2420
Fan Motor	Type	—	Axial fan			
	Air Volume	m ³ /h	3000	3000	3600	4000
	Output Power	W	—	40	—	—
Refrigerant	Type		R32			
	Weight	kg	0.78	1.00	1.60	1.80
	Throttling Method		Electronic Expansion Valve			
Connection Pipe	Liquid Pipe	in.	1/4	1/4	3/8	3/8
	Gas Pipe	in.	3/8	1/2	5/8	5/8
Refrigerant Pipe	Standard Length	m	5	5	5	5
	Max. Length	m	30	35	50	50
	Max. Height	m	15	20	25	25
Dimensions (H*W*D)	Outline	mm	596*818*302	596*818*302	698*892*340	790*920*370
	Package	mm	645*948*420	645*948*420	750*1029*458	855*1083*488

	IDU		GUD35P/A-T	GUD50P/A-T	GUD71P/A-T	GUD85P/A-T
			GUD35PS/A-T	GUD50PS/A-T	GUD71PS/A-T	GUD85PS/A-T
	ODU		GUD35W/NhA-T	GUD50W/NhA-T	GUD71W/NhA-T	GUD85W/NhA-T
Weight	Net Weight	kg	37	39	53	60
	Gross Weight	kg	40	42	57	65
	IDU		GUD100PH/A-T	GUD125PH/A-T	GUD140PH/A-T	
			GUD100PHS/A-T	GUD125PHS/A-T	GUD140PHS/A-T	
	ODU		GUD100W/NhA-T	GUD125W/NhA-T	GUD140W/NhA-T	
Rated Capacity	Cooling	kW	10.00	12.10	13.40	
	Heating	kW	12.00	13.50	15.50	
Input Power	Cooling	kW	3.20	4.40	4.45	
	Heating	kW	3.40	4.10	4.60	
Sound Pressure Level Noise	Cooling	dB(A)	46	42	43	
EER		W/W	3.13	2.95	3.01	
SEER		—	6.10	5.80	6.10	
SCOP		—	4.00	3.80	3.60	
Energy Class (Cooling / Heating)		—	A++/A+	A+/A	A++/A	
IDU			GUD100PH/A-T	GUD125PH/A-T	GUD140PH/A-T	
IDU			GUD100PHS/A-T	GUD125PHS/A-T	GUD140PHS/A-T	
Power Supply			220-240V ~50Hz;208-230V ~60Hz			
Heat Exchanger			— Inner Groove Copper Tube-Aluminum Fin			
Static pressure(rated/maximum)			37/100	50/150	50/150	
Fan Motor	Type	—	Centrifugal Fan			
	Drive	—	direct	direct	direct	
	Motor Output	W	200	250	250	
	Air Volume	m ³ /h	1800	2000	2200	
Filter			— PP			
Connection Pipe	Liquid Pipe	in.	3/8	3/8	3/8	
	Gas Pipe	in.	5/8	5/8	5/8	
	Water Pipe	mm	Φ25*1.50	Φ25*1.50	Φ25*1.50	
Dimensions (H*W*D)	Outline	mm	300*1000*700	300*1400*700	300*1400*700	
	Package	mm	360*813*1205	365*813*1601	365*813*1601	
Weight	Net Weight	kg	40/41	49/50	49/50	
	Gross Weight	kg	46/47	55/56	55/56	
ODU			GUD100W/NhA-T	GUD125W/NhA-T	GUD140W/NhA-T	
Heat Exchanger			— Inner Groove Copper Tube-Aluminum Fin			
Power Supply			220-240V ~50Hz;208-230V ~60Hz			
Compressor	Model		QXFS-D32zX090D	QXFS-F428zX450E	QXFS-F428zX450E	
	Type		Rotary	Rotary	Rotary	
	Output	W	3750	4300	4300	

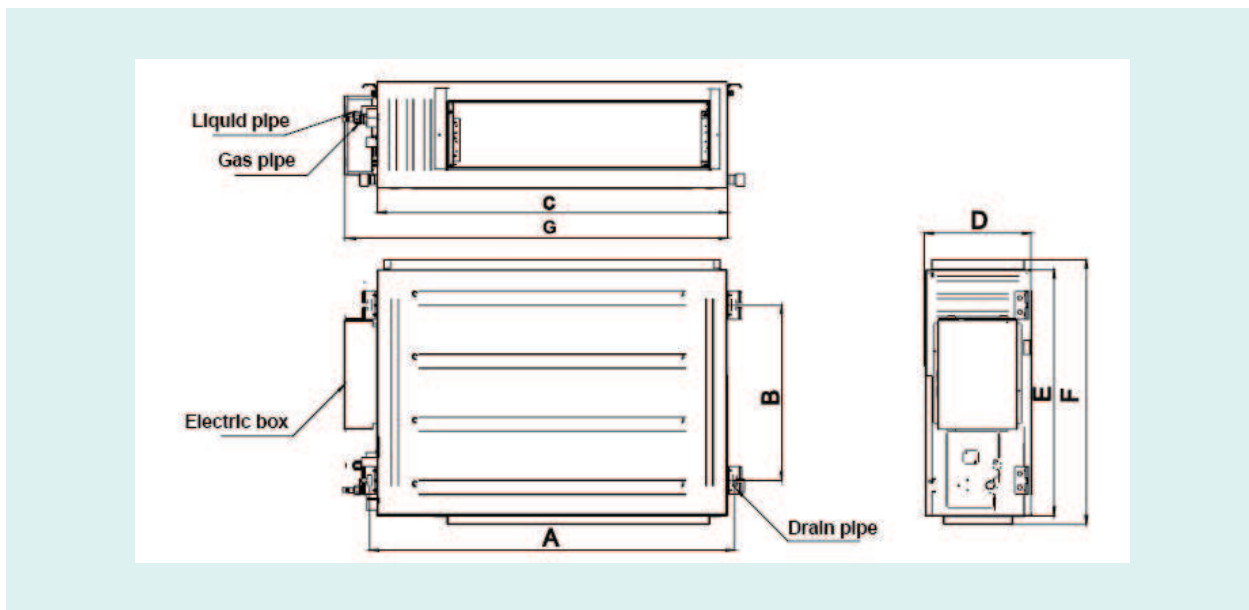
U-Match 5 SERIES AIR CONDITIONERS TSG

	IDU		GUD100PH/A-T	GUD125PH/A-T	GUD140PH/A-T	
			GUD100PHS/A-T	GUD125PHS/A-T	GUD140PHS/A-T	
	ODU		GUD100W/NhA-T	GUD125W/NhA-T	GUD140W/NhA-T	
Fan Motor	Type	—	Axial fan			
	Air Volume	m ³ /h	5900	5900	5900	
	Output Power	W	150	—	—	
Refrigerant	Type		R32			
	Weight	kg	2.50	2.65	2.80	
	Throttling Method		Electronic Expansion Valve			
Connection Pipe	Liquid Pipe	in.	3/8	3/8	3/8	
	Gas Pipe	in.	5/8	5/8	5/8	
Refrigerant Pipe	Standard Length	m	5.00	5.00	7.50	
	Max. Length	m	65	75	75	
	Max. Height	m	30	30	30	
Dimensions (H*W*D)	Outline	mm	820*940*460	820*940*460	820*940*460	
	Package	mm	973*1083*573	973*1083*573	973*1083*573	
Weight	Net Weight	kg	83	91	95	
	Gross Weight	kg	95	103	107	
Safety Device			High pressure switch Low pressure switch Unloading valve Outdoor fan driver overload protector Thermal protector for indoor Fan Motor Inverter overload protector Fusible plugs. Fuse	High pressure switch Low pressure switch Unloading valve Outdoor fan driver overload protector Thermal protector for indoor Fan Motor Inverter overload protector Fusible plugs. Fuse	High pressure switch Low pressure switch Unloading valve Outdoor fan driver overload protector Thermal protector for indoor Fan Motor Inverter overload protector Fusible plugs. Fuse	
	IDU		GUD100PH/A-T	GUD125PH/A-T	GUD140PH/A-T	GUD160PH/A-T
			GUD100PHS/A-T	GUD125PHS/A-T	GUD140PHS/A-T	GUD160PHS/A-T
	ODU		GUD100W/NhA-X	GUD125W/NhA-X	GUD140W/NhA-X	GUD160W/NhA-X
Rated Capacity	Cooling	kW	10.00	12.10	13.40	16.00
	Heating	kW	12.00	13.50	15.50	17.00
Input Power	Cooling	kW	3.15	3.80	4.70	5.45
	Heating	kW	3.50	3.90	4.45	5.00
Sound Pressure Level Noise	Cooling	dB(A)	46	42	43	46
EER		W/W	3.17	3.18	2.85	2.94
SEER		—	6.10	5.80	5.40	6.10
SCOP		—	4.00	3.80	3.70	4.00
Energy Class (Cooling / Heating)		—	A++/A+	A+/A	A+/A	A++/A+
IDU			GUD100PH/A-T	GUD125PH/A-T	GUD140PH/A-T	GUD160PH/A-T
			GUD100PHS/A-T	GUD125PHS/A-T	GUD140PHS/A-T	GUD160PHS/A-T
Power Supply			220-240V ~50Hz;208-230V ~60Hz			
Heat Exchanger		—	Inner Groove Copper Tube-Aluminum Fin			
Static pressure(rated/maximum)			37/100	37/150	50/150	50/200

	IDU		GUD100PH/A-T	GUD125PH/A-T	GUD140PH/A-T	GUD160PH/A-T
			GUD100PHS/A-T	GUD125PHS/A-T	GUD140PHS/A-T	GUD160PHS/A-T
	ODU		GUD100W/NhA-X	GUD125W/NhA-X	GUD140W/NhA-X	GUD160W/NhA-X
Fan Motor	Type	—	Centrifugal Fan			
	Drive	—	direct	direct	direct	direct
	Motor Output	W	200	250	250	550
	Air Volume	m ³ /h	1800	2000	2200	2400
Filter		—	PP			
Connection Pipe	Liquid Pipe	in.	3/8	3/8	3/8	3/8
	Gas Pipe	in.	5/8	5/8	5/8	5/8
	Water Pipe	mm	Φ25*1.50	Φ25*1.50	Φ25*1.50	Φ25*1.50
Dimensions (H*W*D)	Outline	mm	300*1000*700	300*1400*700	300*1400*700	300*1400*700
	Package	mm	360*813*1205	365*813*1601	365*813*1601	365*813*1601
Weight	Net Weight	kg	40/41	49/50	49/50	56/57
	Gross Weight	kg	46/47	55/56	55/56	63/64
ODU			GUD100W/NhA-X	GUD125W/NhA-X	GUD140W/NhA-X	GUD160W/NhA-X
Heat Exchanger		—	Inner Groove Copper Tube-Aluminum Fin			
Power Supply			380-415V 3N~50Hz/60Hz			
Compressor	Model		QXFS-D32zX090C	QXFS-F428zX450I	QXFS-F428zX450I	QXFS-F428zX450I
	Type		Rotary	Rotary	Rotary	Rotary
	Output	W	3750	4300	4300	4060
Fan Motor	Type	—	Axial fan			
	Air Volume	m ³ /h	5900	5900	5900	6600
	Output Power	W	—	—	—	—
Refrigerant	Type		R32			
	Weight	kg	2.50	2.65	2.80	3.60
	Throttling Method		Electronic Expansion Valve			
Connection Pipe	Liquid Pipe	in.	3/8	3/8	3/8	3/8
	Gas Pipe	in.	5/8	5/8	5/8	5/8
Refrigerant Pipe	Standard Length	m	5.00	5.00	7.50	7.50
	Max. Length	m	65	75	75	75
	Max. Height	m	30	30	30	30
Dimensions (H*W*D)	Outline	mm	820*940*460	820*940*460	820*940*460	1345*900*340
	Package	mm	973*1083*573	973*1083*573	973*1083*573	1500*1048*458
Weight	Net Weight	kg	89	95	99	112
	Gross Weight	kg	101	107	111	122

➔ 10.2 Duct Type

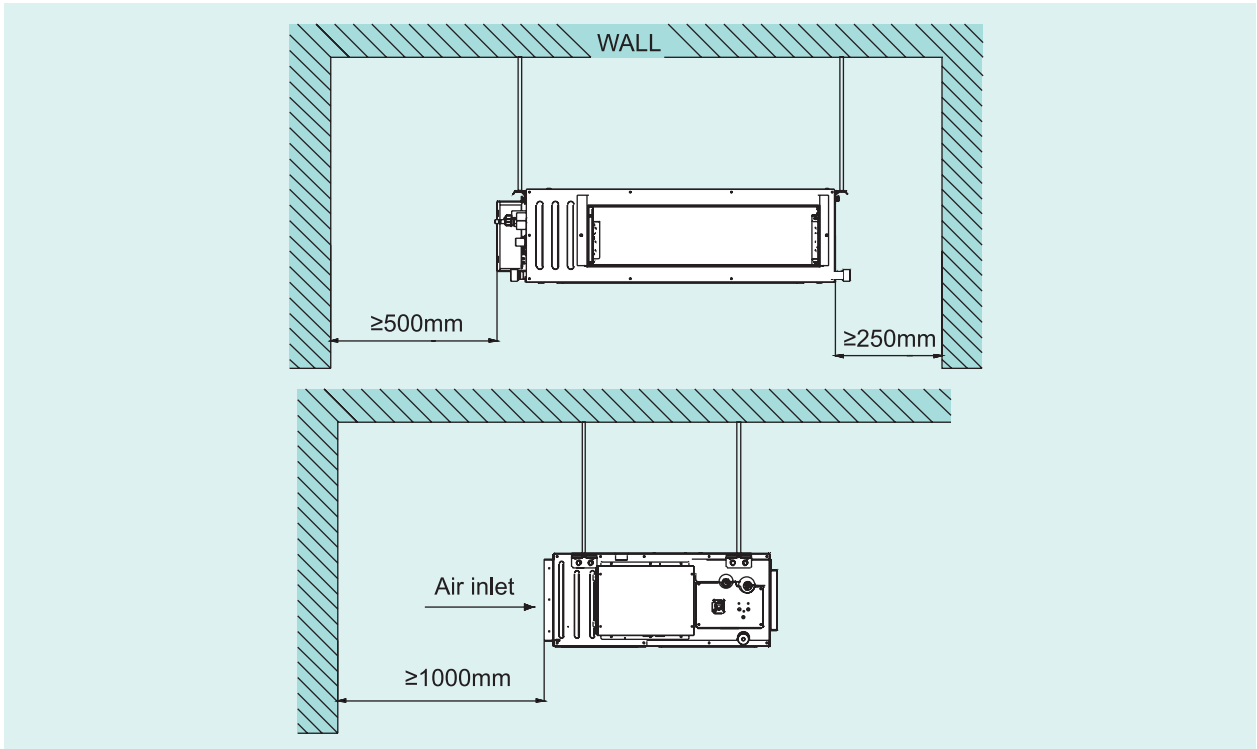
10.2.1 Dimensions



Unit: mm

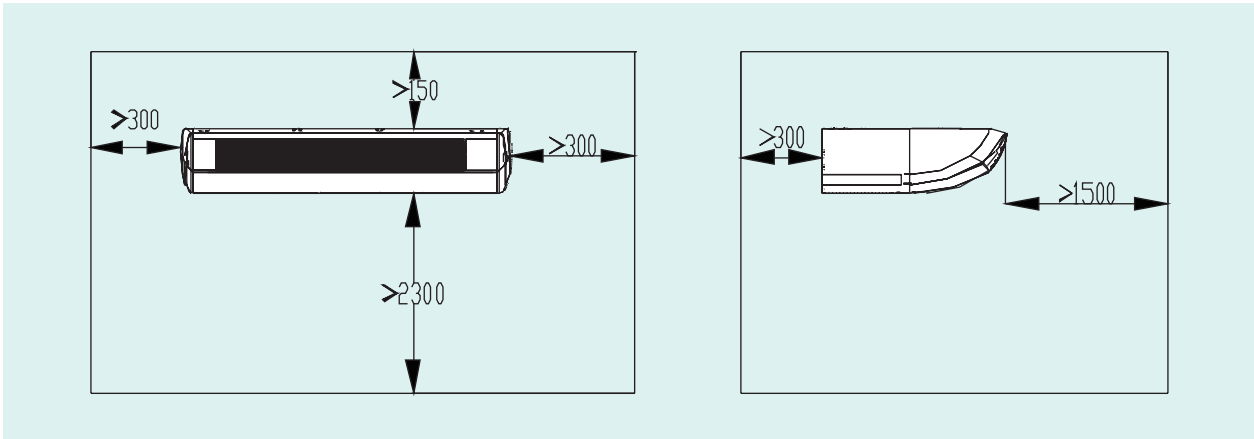
Model	A	B	C	D	E	F	G
GUD35P/A-T	760	415	700	200	450	474	768
GUD35PS/A-T							
GUD50P/A-T	1060	415	1000	200	450	474	1068
GUD50PS/A-T							
GUD71P/A-T	1360	415	1300	220	450	474	1368
GUD71PS/A-T							
GUD85P/A-T	1040	500	1000	300	700	754	1092
GUD85PS/A-T							
GUD100PH/A-T	1440	500	1400	300	700	754	1492
GUD100PHS/A-T							
GUD125PH/A-T	1440	500	1400	300	700	754	1543
GUD125PHS/A-T							
GUD140PH/A-T	1440	500	1400	300	700	754	1543
GUD140PHS/A-T							
GUD160PH/A-T	1440	500	1400	300	700	754	1543
GUD160PHS/A-T							

10.2.2 Installation Location



10.3.2 Installation Location

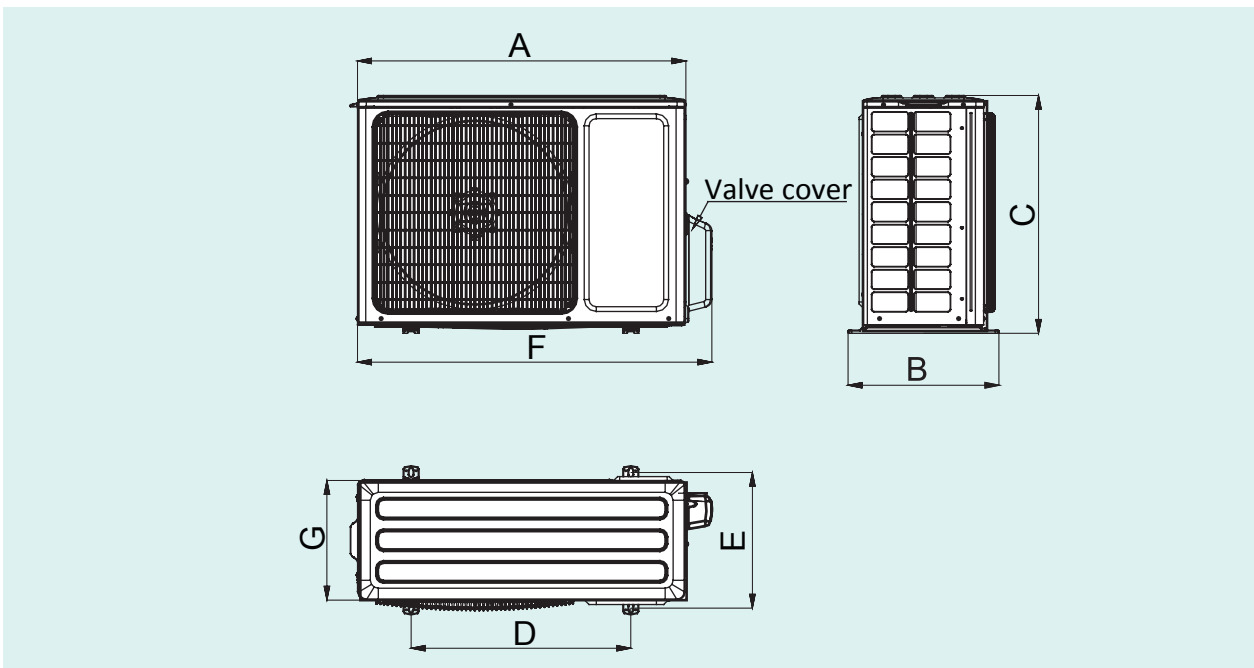
Unit: mm

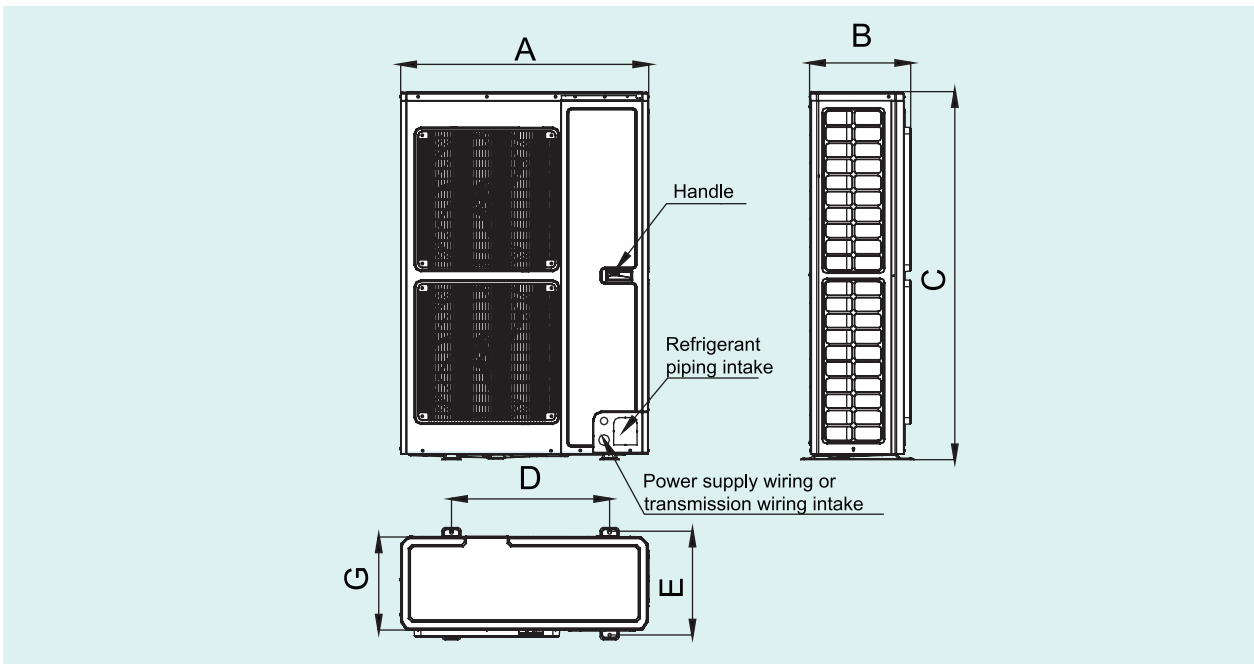
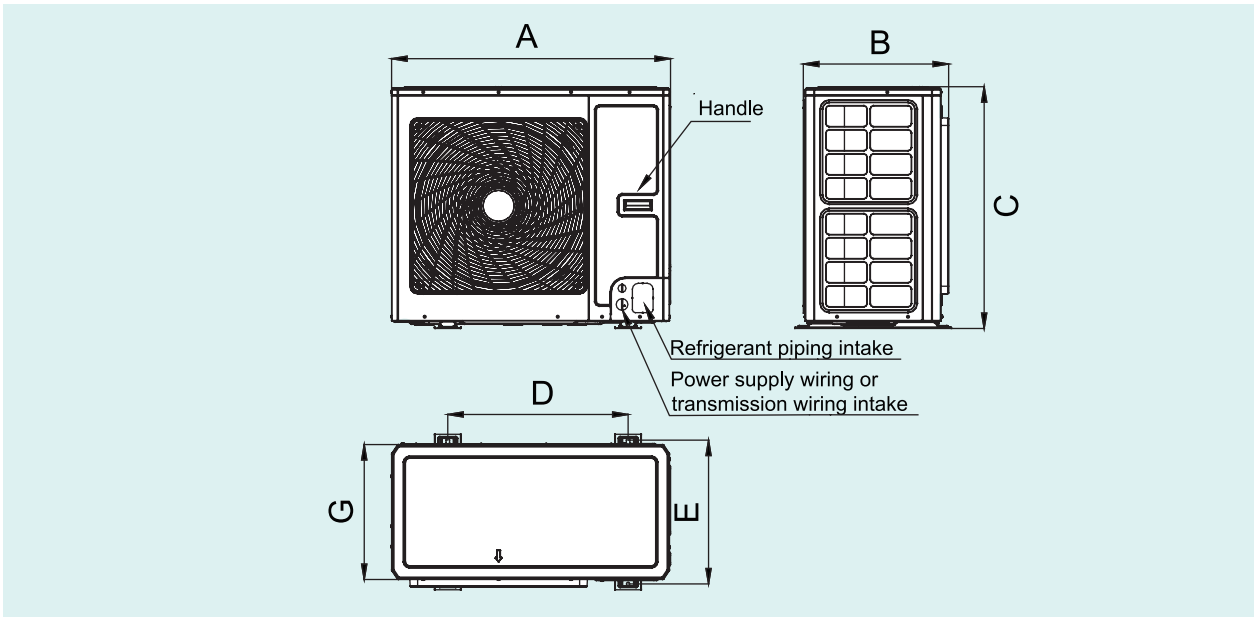


➔ 10.4 Outdoor Unit

10.4.1 Dimensions

GUD35W/NhA-T, GUD50W/NhA-T, GUD71W/NhA-T, GUD85W/NhA-T





Unit: mm

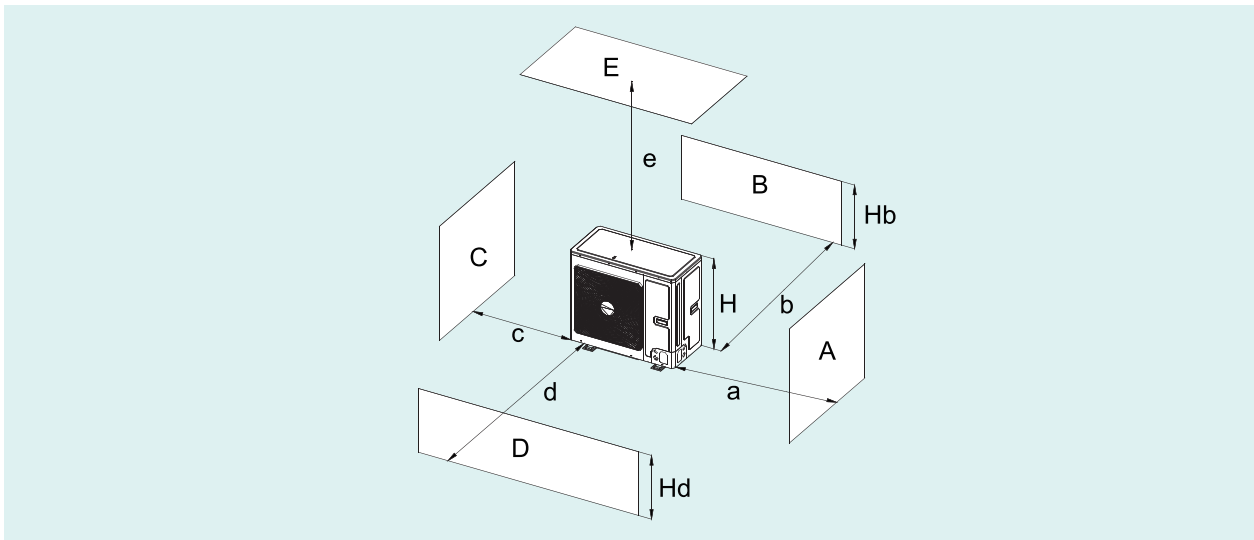
Model	Dimensions						
	A	B	C	D	E	F	G
GUD35W/NhA-T	818	378	596	550	348	887	302
GUD50W/NhA-T	818	378	596	550	348	887	302
GUD71W/NhA-T	892	396	698	560	364	952	340
GUD85W/NhA-T	920	427	790	610	395	1002	370
GUD100W/NhA-T	940	530	820	610	486	/	460
GUD100W/NhA-X	940	530	820	610	486	/	460

Model	A	B	C	D	E	F	G
GUD125W/NhA-T	940	530	820	610	486	/	460
GUD125W/NhA-X	940	530	820	610	486	/	460
GUD140W/NhA-T	940	530	820	610	486	/	460
GUD140W/NhA-X	940	530	820	610	486	/	460
GUD160W/NhA-X	900	412	1345	572	378	/	340

10.4.2 Installation Location

1). When one outdoor unit is to be installed,

Unit: mm



A~E	H_b H_D H		(mm)				
			a	b	c	d	e
B	—			≥ 100			
A,B,C,	—		≥ 300	≥ 100	≥ 100		
B,E	—			≥ 100			≥ 1000
A,B,C,E	—		≥ 300	≥ 150	≥ 150		≥ 1000
D	—					≥ 1000	
D,E	—					≥ 1000	≥ 1000
B,D	$H_b < H_D$	$H_D > H$		≥ 100		≥ 1000	
	$H_b > H_D$	$H_D < H$		≥ 100		≥ 1000	
B,D,E	$H_b < H_D$	$H_b \leq 1/2 H$		≥ 250		≥ 2000	≥ 1000
		$1/2 H < H_b \leq H$		≥ 250		≥ 2000	≥ 1000
		$H_b > H$	Prohibited				
	$H_b > H_D$	$H_D \leq 1/2 H$		≥ 100		≥ 2000	≥ 1000
		$1/2 H < H_D \leq H$		≥ 200		≥ 2000	≥ 1000
		$H_D > 1/2 H$	Prohibited				